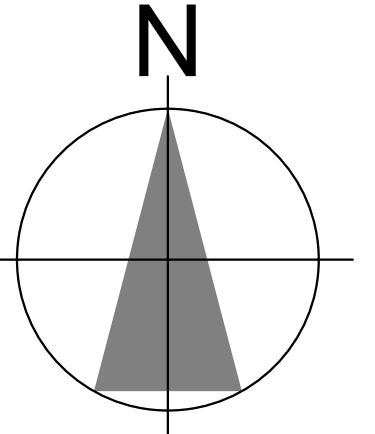


# AUBERRY VILLAGE CONCEPTUAL SITE PLAN



AUBERRY DRIVE

CALVINE ROAD

AQUARIUS 1  
A: 13,968.92 sq ft

SHOPS  
A: 7,999.57 sq ft

AQUARIUS 2  
A: 13,968.92 sq ft

SAN FRANCISCO COUNTY  
PAVEMENT INSIDE AND OUTSIDE

RETENTION BASIN

WALKING PATH

BIKE LOCKERS

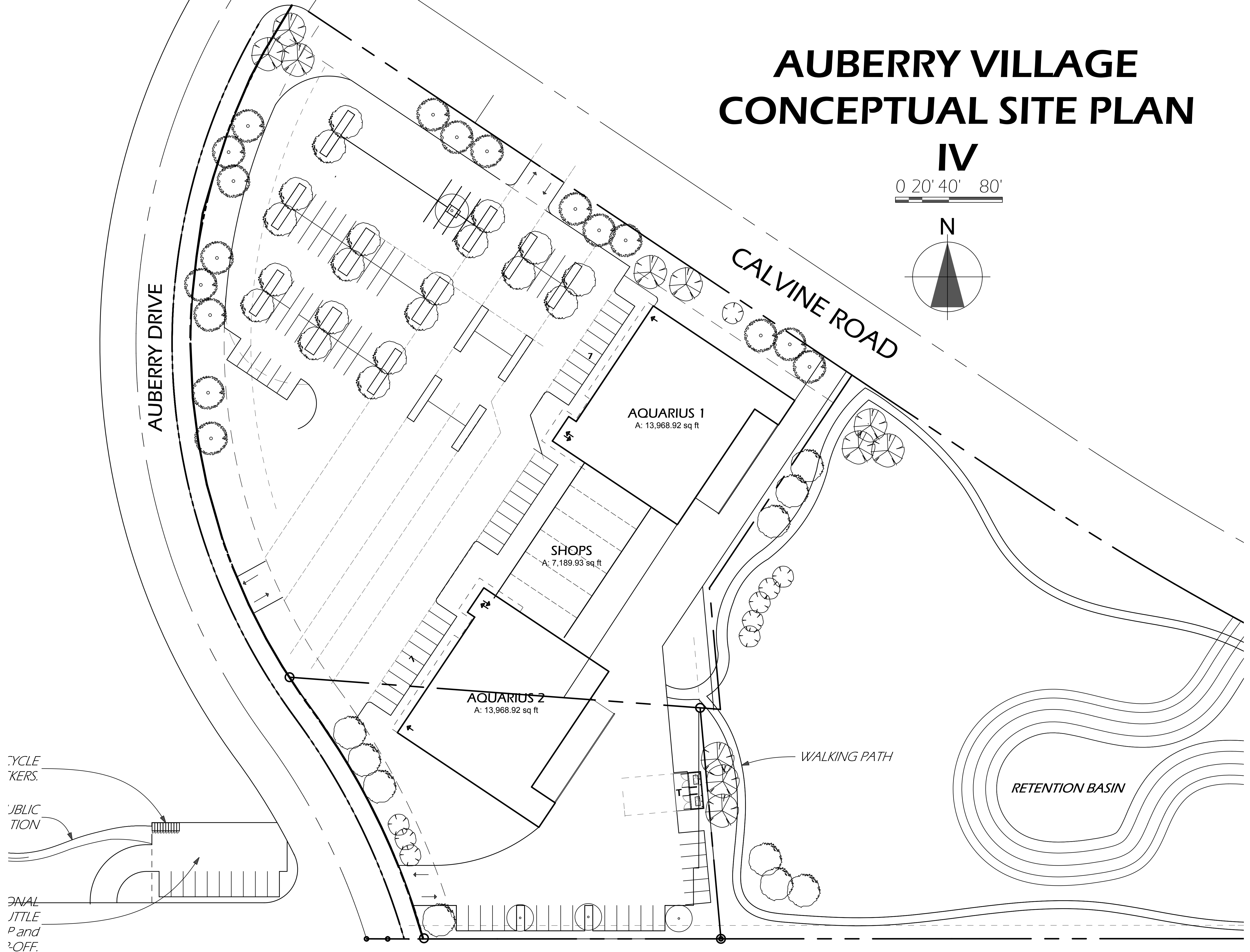
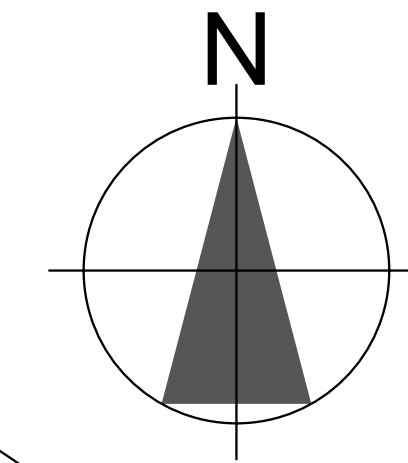
TO PUBLIC  
STATION

REGIONAL  
SHUTTLE  
PICK-UP and  
DROP-OFF

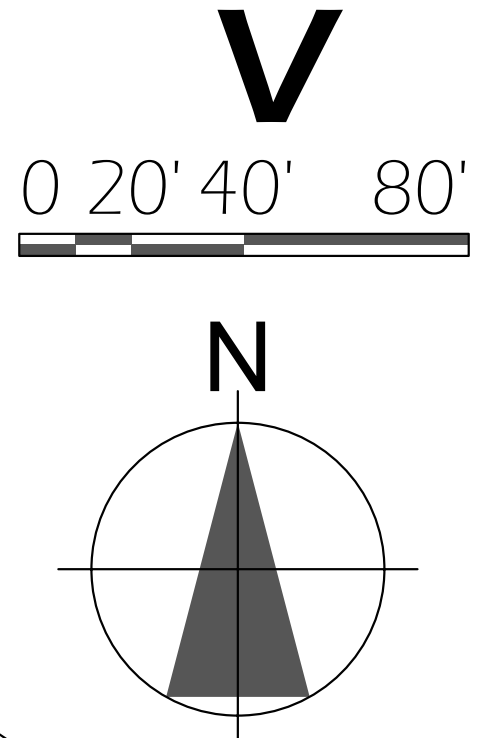
# AUBERRY VILLAGE CONCEPTUAL SITE PLAN

IV

0 20' 40' 80'



# AUBERRY VILLAGE CONCEPTUAL SITE PLAN



AUBERRY DRIVE

CALVINE ROAD

AQUARIUS 1  
A: 13,968.92 sq ft

SHOPS  
A: 8,461.77 sq ft

AQUARIUS 2  
A: 13,968.92 sq ft

WALKING PATH

RETENTION BASIN

